

Color Inkjet Printer Tx300P-1800/Tx300P-1800 MkII

Requests for Care and Maintenance

This machine is a precision machine equipped with extremely fine mechanisms. Especially, the nozzle surface of the heads from which the ink is discharged is affected even by a slightest attachment of dust or paper powder and the proper printing results could not be obtained. With a view to using this machine in a better condition, we would like to recommend performing the following care and maintenance on daily basis.

1. When to care

When to care	What to care	Reference Page
When the Machine Is Not Used for a Long Time	Perform "Storage Wash"	P.3
When replace the media	Ink receiving spacer	P.4
Once a day (at the end of the daily work)	Surroundings of the heads	P.4
	Capping station	P.5
	Wiper	P.6
	Media press	P.7
	Media sensor	P.7
Once a week (at the end of the work on weekend)	Cleaning the Platen	P.8
	Cleaning folding bar (take-up side)	P.8
	Cleaning the tension roller	P.9
	Exterior	P.9
	Waste ink tank	P.9
	Ink Discharge Passage	P.9
	Clean the edge of the head nozzle surface (Only for Sb411+TP400, Sb411+Sb420 ink set)	P.10
Once a month	Fill up ink (Only for Sb411+TP400 ink set)	P.10
When the platen is replaced (Tx300P-1800 MkII only)	Cleaning the Platen	P.11
	Ink receiving spacer	P.10
	Media press	P.10
In the event of damage, deformation, excessive dirt, or when periodic replacement is required	Replacement of supply parts fan filter / Wiper / CP pat / Pinch rollers / Spout Rubber / MALE CONNECTOR ABSORBENT FOR MBIS	P.11



- Tools required for maintenance
 - Cleaning stick (SPC-0527)
 - Cleaning Liquid
 - Cotton swab
 - Safety glasses
 - Gloves
 - Soft fabric
 - Techno wipe (SPC-0855)



- The maintenance cleaning liquid is different by use ink type. Use the cleaning liquid dedicated for the ink being used.

2. Safety Precautions

CAUTION



When cleaning, be sure to provide adequate ventilation and be sure to wear the supplied protective glasses and gloves.



If ink should come into your eyes, immediately rinse with plenty of clean water for more than 15 minutes and rinse thoroughly to the back of the eyelids. Also, please consult a doctor as soon as possible. If ink adheres to the skin, please rinse thoroughly with a large amount of water and soap or skin detergent.



When ink is mixed with water or alcohol, aggregates are generated. Do not allow water or alcohol to deposit to the nozzle surface, around the head, cap, and wiper.



To ensure ink ejection stability, this machine must periodically eject (flush) a small amount of ink depending on the ink type when it is not used (output) for a long time. When not using this machine for an extended period of time, execute the [CUSTODY WASH] function, ("When the Machine Is Not Used for a Long Time (CUSTODY WASH)" Chapter 4 of Operation Manual) and turn off only the power button on the front panel. The main power switch on the right side should be on (in the state of I) and the outlet should be inserted.



Never disassemble the machine. Failure to do so may cause electric shock, fire or damage.



Make sure that no moisture enters the machine. If the inside gets wet, it may cause electric shock, fire and damage.



Before cleaning, turn off the power switch and disconnect the power cable. It may cause an unexpected accident.



Do not use chemicals containing benzene, thinner or abrasives. The cover surface may be altered or deformed.



Do not lubricate the machine with lubricating oil. There is a risk of failure.



Keep children away from this machine.

3. Installation environment

- Use this printer as much as possible in a dust-free environment. Fans and air-blowers could cause the dustspewing.
- The using environment of this printer is from 20 to 30°C (68°F to 86°F) in temperature and from 35 to 65 % in relative humidity. Avoid the use of this printer at a temperature and humidity higher or lower than the indicated ranges.

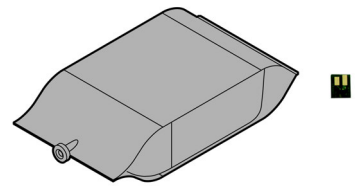
4. When the printer is not used for a long period

When the printer is not to be used for a period of one week or above, perform the cleaning of the heads and nozzles and the ink discharging channel before storing this printer. ("When the Machine Is Not Used for a Long Time" Chapter 4 of the Operation Manual)

5. Storage of ink pack

Be careful of the followings to store.

- Store the ink pack in no direct sunlight, and no high humidity.
- As it's a delicate product, do not drop it.
- Ink IC should not be contaminated and discharged static electricity.
- Be sure to store the ink pack and the ink IC together.



The board mounted on the ink pack

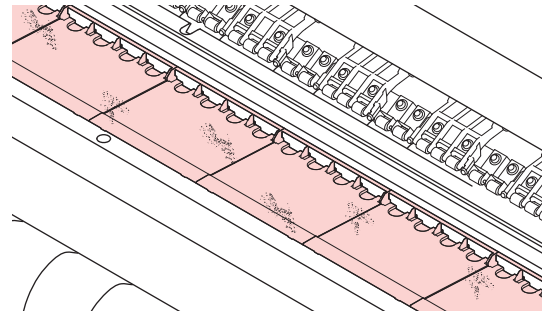
6. Storage of media

Media should be stored in the little dust area, and not in direct sunlight. Avoid storing the media in the area with high temperature and high humidity.

7. When replace the media

(1) Ink receiving spacer ("Cleaning the Ink receiving spacer" Chapter 4 of the Operation Manual)

When you wish to clean dirt such as ink etc. adhered on the ink receiving spacer, you can remove the ink receiving spacer to clean it.



8. Daily care



- When possible, use the cleaning stick (SPC-0527) for cleaning around the head/ capping station/ wiper. Using the other cotton bud may attach lint, then it may damage the machine.
- Be sure to perform maintenance for the ink cap and the wiper of capping station every day. If you leave it dirty, dirt may adhere to the nozzle surface, or, dust and dry ink may be rubbed against the nozzle. It may cause discharge defect.
- Clean the bottom of carriage every day so that it will not get dirt from inks or dusts. If you leave it dirty, dust and dry ink may be rubbed against the nozzle at wiping operation when performing head cleaning.
- When you clean the carriage bottom surface, fully be careful not to rub the nozzle surface.

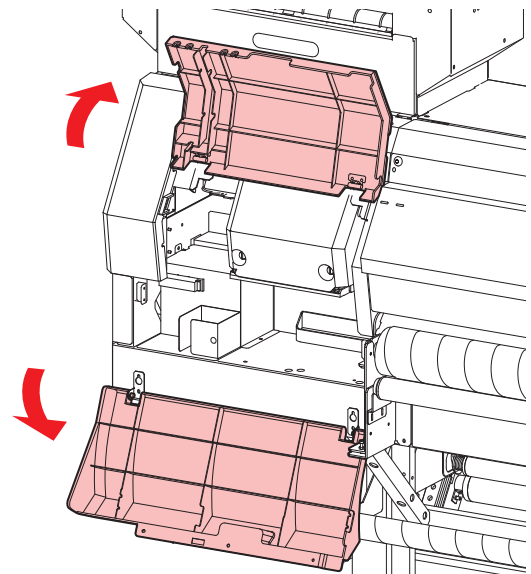
(1) Surroundings of the heads ("Cleaning the Head and the Area around It" Chapter 4 of the Operation Manual)



- The heads and their surroundings are the parts most liable to be tainted in this machine and if tainted, it could cause adverse effects to the functions of the machine and the results of the printings. Moreover, as the head itself uses very fine mechanisms, sufficient precautions are required for the care and maintenances.
- Use the cleaning liquid dedicated for the ink being used.

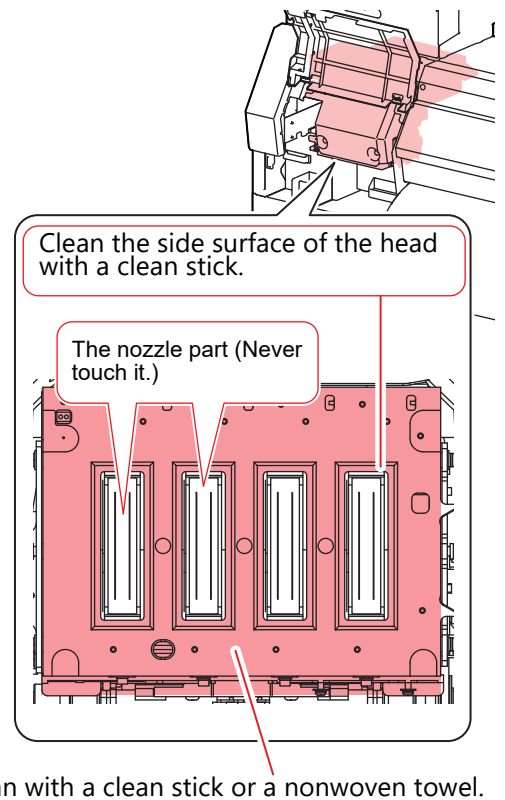
1 Move the carriage to the left and open the maintenance cover.

- Refer to the Step 1 to 2 of Chapter 4 "Cleaning the Head and the Area around It" of the user's manual to perform the operation.



2 Soak the clean stick or the nonwoven towel in the maintenance cleaning liquid and wipe off an accumulated ink on the side of the head, on the bottom surface of the slider, and on the bottom surface of the carriage.

- Never rub the nozzles.



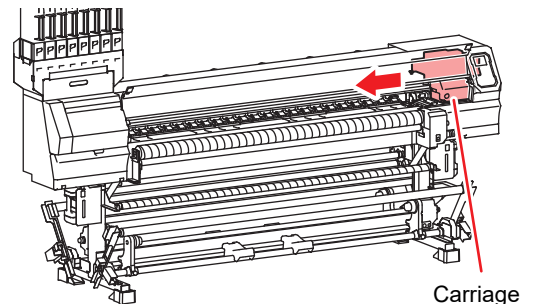
(2) Capping Station ("Cleaning the Wiper and Cap" Chapter 4 of the Operation Manual)

The surrounding area of the cap is also liable to be stained by the dust and ink. It is recommended to clean the head frequently using the cleaning liquid for maintenance suitable for the ink used to avoid the stains on the head.

- Use the cleaning liquid dedicated for the ink being used.

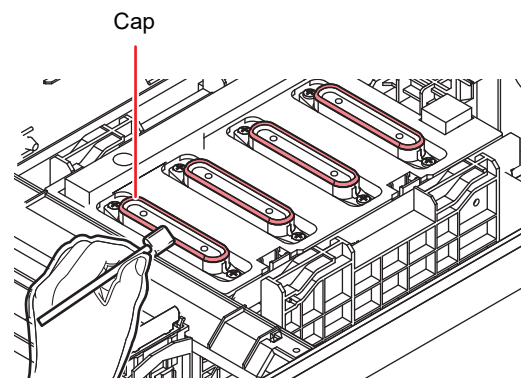
1 Move the carriage and open the maintenance cover.

- Refer to the Step 1 to 2 of Chapter 4 "Cleaning the Wiper and Cap" of the user's manual to perform the operation.



2 Clean the cap.

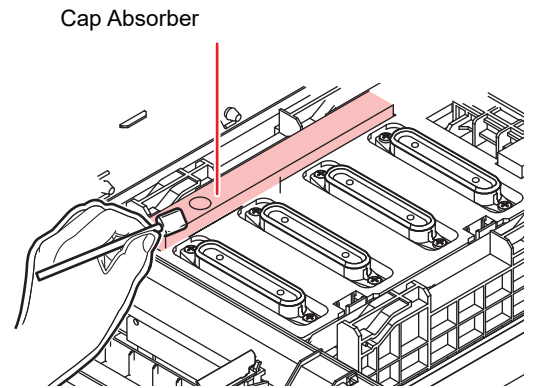
- Dip the clean stick into the cleaning liquid for maintenance and wipe off the cap. Wipe off so that cleaning solution for maintenance will not remain.



3 Wipe off the ink sticking to the cap absorber with a clean stick or nonwoven towel dipped in cleaning solution.

- Soak the clean stick or the nonwoven towel in the maintenance cleaning liquid and wipe off an accumulated ink. Wipe off so that cleaning solution for maintenance will not remain.

If the cap absorber is very dirty, replace the cap absorber with the new one (SPA-0269) in accordance with "Replacing the Cap Absorber" on Chapter 4 of the Operation Manual.



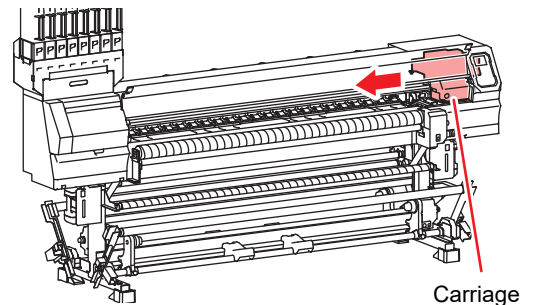
(3) Wiper ("Cleaning the Wiper and Cap" Chapter 4 of the Operation Manual)

On the wiper, the ink, dust and paper powder are liable to accumulate. Check the state of the wiper and if it is stained, clean it. When cleaning the twin wiper, follow the procedure below.

- Use the cleaning liquid dedicated for the ink being used.

1 Move the carriage and open the right maintenance cover.

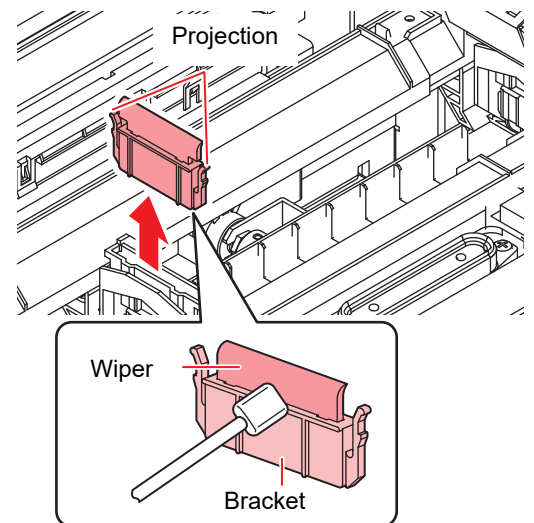
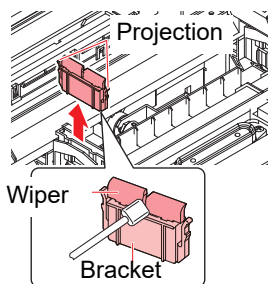
- Refer to the Step 1 to 2 of Chapter 4 "Cleaning the Wiper and Cap" of the user's manual to perform the operation.



2 Clean the wiper.

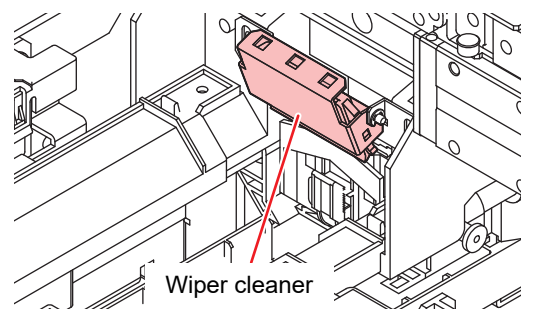
- Remove the wiper by holding the protrusions at its both ends.
- Wipe off the ink sticking to the wiper and bracket with a clean stick dipped in cleaning solution for maintenance. Wipe off so that cleaning solution for maintenance will not remain.

- For the twin wiper



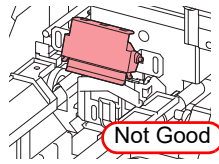
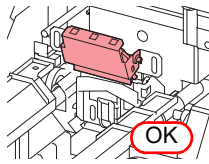
3 Clean the wiper cleaner.

- Wipe off the ink sticking to the wiper cleaner with a clean stick dipped in cleaning solution for maintenance. Wipe off so that cleaning solution for maintenance will not remain.





- Do not remove the wiper cleaner from the bracket.
- Only clean the front surface on the wiper cleaner's wiper. (You do not need to clean the rear surface.)
- After the wiper cleaner cleaning, make sure that the cleaner is not facing up.



Further, in the cases as explained below, replace the wiper with the new one (SPA-0271) in accordance with "Replacing the wiper" on Chapter 4 of the Operation Manual.

- When the wiper is deformed
- When the stuck ink can not be wiped off
- When the warning for wiper replacement is indicated

(4) Fabric retainer / Media press ("Cleaning the Fabric Retainer / Media press" Chapter 4 of the Operation Manual)

When the cut dust of the media and other dusts accumulate between the media holder and the platen, it could cause the risks that the transfer of the media could not be performed properly or such dusts stick to the nozzles and this could interfere the proper printings. You are recommended to clean it frequently.

(5) Media sensor ("Cleaning the Media Sensor" Chapter 4 of the Operation Manual)

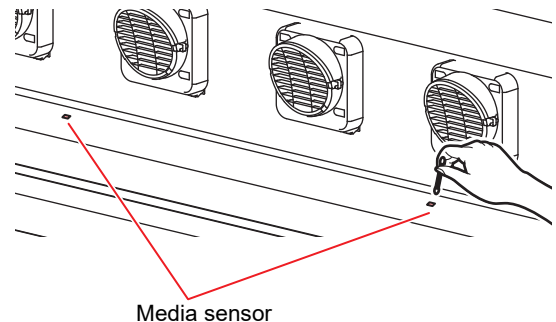
The media sensors are located on the platen in the backside and the bottom surface of the head.

If the dusts and ink accumulate on the sensor, it could cause false detection of the media or the register mark. Wipe off the sensors with soft cloth or clean sticks.

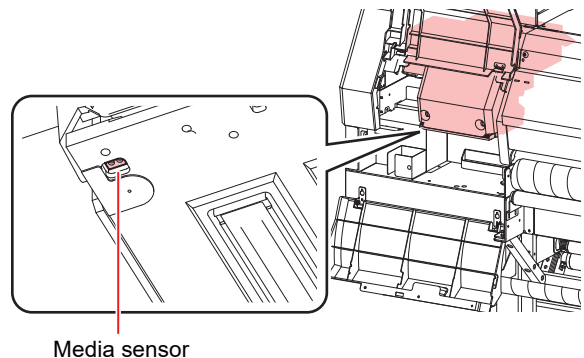


- For the cleaning of the media sensors, never use the solvent.
- When the sensor is heavily stained, wipe off with a cloth soaked in the waterdiluted neutral detergent.

The backside of the machine



The lower surface of the head



9. Periodically care (Once a week)

Users are advised to perform the maintenance works described below once a week so that the printer will keep its high performance and accuracy over an extended period of its life.

(1) Platen (“Cleaning the Platen” Chapter 4 of the Operation Manual)

When printing on rough cloth, some of the ink passes through the cloth and adhere to the platen.

If the ink stains are conspicuous, clean the adhered ink along with “Operation Manual”.

Continuing to use the media while it is dirty may cause media to be fed incorrectly, or rubbing dirt or solid ink onto the head nozzle surface, resulting in discharge failure (nozzle clogging, deflection, etc.).



- Turn off the main power and unplug the power cable before maintenance.



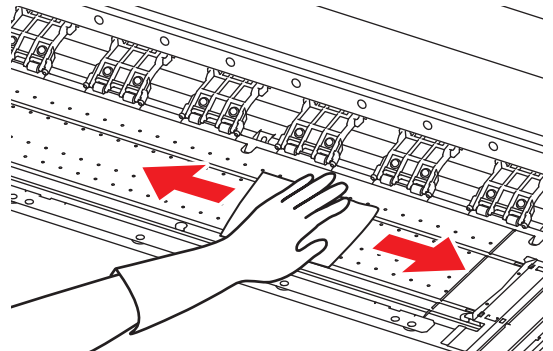
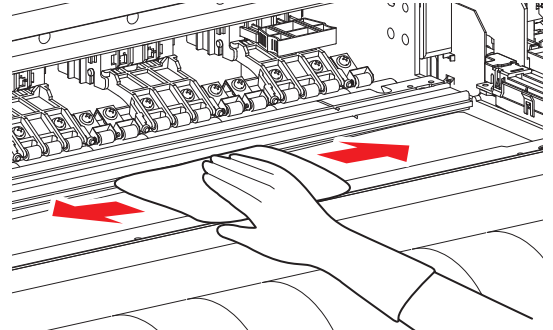
- Do not allow liquids to enter the machine. There is a risk of equipment failure, electric shock, or fire.



- If the dirt is noticeable, use a soft cloth soaked in a neutral detergent diluted with water, wrung out, and then wiped off.
- Before cleaning the platen, make sure that the platen has cooled adequately.



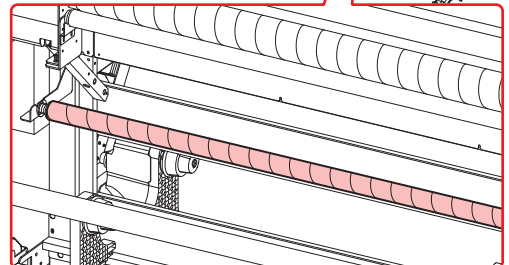
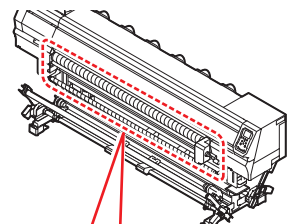
- The groove that slides the media press and the groove that cuts the media are particularly easy to collect dust. Please carefully remove the dust.



(2) Folding bar (“Cleaning folding bar (take-up side)” Chapter 4 of the Operation Manual)

Remove ink blot etc. adhering to the lapal bar located on the front surface of the machine and used at taking up the media.

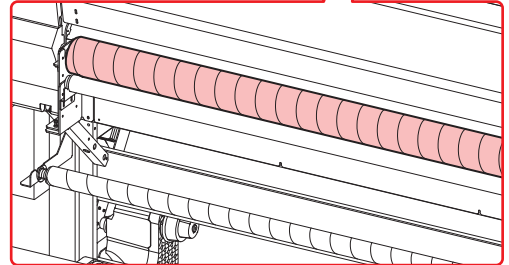
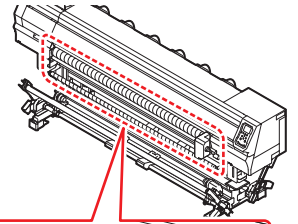
Moisten soft cloth with water or waterish mild detergent, squeeze tightly and then wipe it off.



(3) Tension roller (“Cleaning the tension roller” Chapter 4 of the Operation Manual)

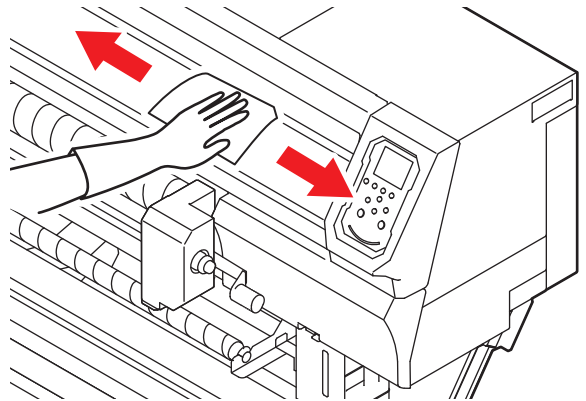
Remove ink stain etc. adhering to the tension roller at the front side of the machine.

Moisten soft cloth with water or waterish mild detergent, squeeze tightly and then wipe it off.



(4) Exterior (“Cleaning the Exterior Surfaces” Chapter 4, Operation Manual)

Depending on the using environment, the dusts or sand powder could stick to the exterior of the main unit. To avoid the entry of the dusts into the moving part of the head, wipe them off with soft cloth dipped into water and squeezed tightly.

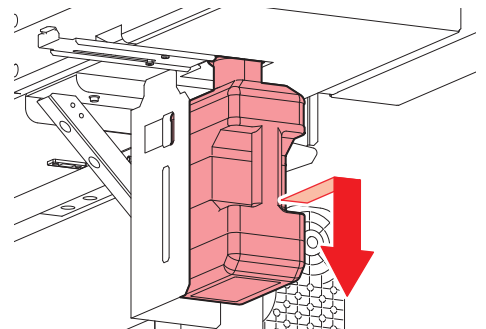


(5) Waste ink tank (“If a Waste Ink Tank Confirmation Message Appears” Chapter 4 of the Operation Manual)

Check whether the waste ink tank is full or not. Take care so that the waste ink never overflows the tank.



- The waste ink tank on the left does not cumulatively count the amount of discharge of such a substance as ink. Even if the level of dirty water in the tank becomes 80% or over, no message appears. Check the level of dirty water in the tank on the left often and dispose of waste ink tank if pooled and insert the new waste ink tank.



(6) Ink Discharge Passage (“Washing the Ink Discharge Passage” Chapter 4 of the Operation Manual)

Wash the ink discharge passage (DISWAY WASH) regularly (about once a week) to prevent the head nozzles from clogging due to ink coagulation inside the passage.



- Before washing the ink discharge passage, make sure that the maintenance washing liquid is set. If the maintenance washing liquid is not set, washing operation will not be conducted and the passage could be clogged.

(7) Edge of the head nozzle surface (“Clean the edge of the head nozzle surface” Chapter 4 of the Operation Manual)

Clean when using Sb411 + Sb420 or Sb411 + TP400 ink set.

Using a clean stick, etc., rub off gelatinous ink or dust that may stick to the edge of the head nozzle surface.

Important!

- The heads and their surroundings are the parts most liable to be tainted in this machine and if tainted, it could cause adverse effects to the functions of the machine and the results of the printings. Moreover, as the head itself uses very fine mechanisms, sufficient precautions are required for the care and maintenances.
- Use the cleaning liquid dedicated for the ink being used.

10. When the platen is replaced (Tx300P-1800 MkII only)

Follow this procedure when using Sb411 + TP400 ink set.

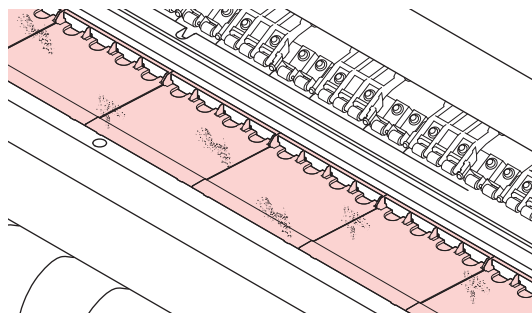
(1) Ink filling (“Fill up Ink” Chapter 4 of the Operation Manual)

Execute ink filling as care to prevent ink clogging for TP400 side heads (HEAD 3, and 4).

11. When the platen is replaced (Tx300P-1800 MkII only)

(1) Ink receiving spacer (“Cleaning the Ink receiving spacer” Chapter 4 of the Operation Manual)

When you wish to clean dirt such as ink etc. adhered on the ink receiving spacer, you can remove the ink receiving spacer to clean it.



(2) Fabric retainer / Media press (“Cleaning the Fabric Retainer / Media press” Chapter 4 of the Operation Manual)

When the cut dust of the media and other dusts accumulate between the media holder and the platen, it could cause the risks that the transfer of the media could not be performed properly or such dusts stick to the nozzles and this could interfere the proper printings. You are recommended to clean it frequently.

(3) Platen (“Cleaning the Platen” Chapter 4 of the Operation Manual)

When printing on an loose fabric, some of the ink will pass through the cloth and adhere to the platen.

If you are worried about ink stains, clean the adhered ink according to the operation manual.

Continuing to use the media while it is dirty may cause media to be fed incorrectly, or rubbing dirt or solid ink onto the head nozzle surface, resulting in discharge failure (nozzle clogging, deflection, etc.).



- Turn off the main power and unplug the power cable before maintenance.



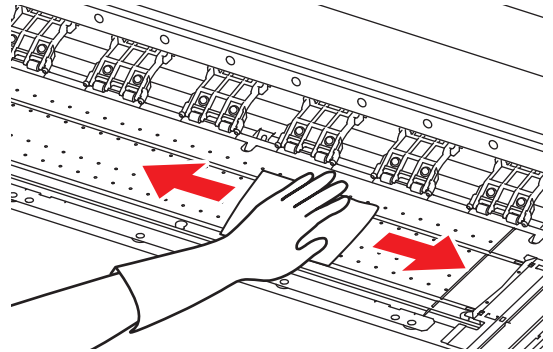
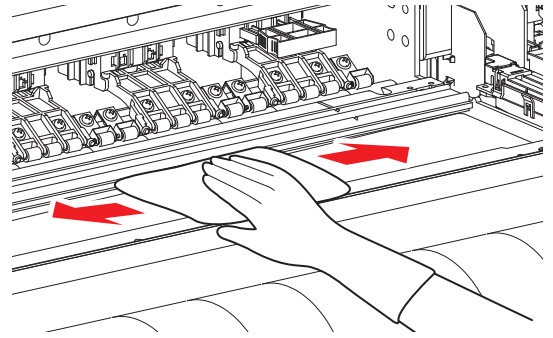
- Do not allow liquids to enter the machine. There is a risk of equipment failure, electric shock, or fire.



- If the dirt is noticeable, use a soft cloth soaked in a neutral detergent diluted with water, wrung out, and then wiped off.
- Before cleaning the platen, make sure that the platen has cooled adequately.



- The groove that slides the media press and the groove that cuts the media are particularly easy to collect dust. Please carefully remove the dust.



12. Replacing consumables

(1) Replace the blow down fan filter (“Replace the blow down fan filter” Chapter 4 of the Operation Manual)

Replace the blow down fan filter (SPA-0774) when it is dirty.

(2) Replacing the wiper (“Replacing the wiper” Chapter 4 of the Operation Manual)

The wiper is consumable. When the display indicates the warning message “Replace a WIPER” it is necessary to check and replace the wiper, immediately replace the wiper with a new one.



- The wiper will differ depending on the particular machine model and ink sets. Replace the wiper as indicated in the following table.
- Be sure to use the correct wiper corresponding to the usage conditions. Using the incorrect wiper may cause nozzle falling off.

Model	Ink set	Wiper	
		Product No.	Product Name
Tx300P-1800	----	SPA-0271	Wiper kit 300TS
Tx300P-1800 MkII	Other than the following	SPA-0271	Wiper kit 300TS
	Sb411+TP400/Sb411+Sb420	SPA-0313	Wiper kit 300Tx-II



- When the warning message for replacing wiper is shown, confirm whether there is no damage and fuzz at the top edge of the wiper film. If there is no damage on the top edge of the wiper film, it is possible to use the wiper continuously without replacing it.
- A cleaning wiper is an option. Buy one through the dealer in your region or at our service office.

(3) Replacing the Cap Absorber (“Replacing the Cap Absorber” Chapter 4 of the Operation Manual)

CAP ABSORBER KIT (PN: SPA-0314) and CP PAD SET(PN:SPA-0314) are consumable. If the dirt is severe or the ink falls off from the carriage, replace it.

Replace the CAP ABSORBER KIT (PN: SPA-0314) when the warning message "Replace Cap Pad" is displayed on the local or guidance screen.

(4) Replacing the Pinch roller (“Replacing the Pinch roller” Chapter 4 of the Operation Manual)

Replace the pinch roller (PN: SPA-0275) when it is worn or dirty.



- The pinch roller is an optional item. You can buy one through your local dealer or from our service office.
- Since the parts are small, you need to take extra care not to drop them into the gaps in the machine.

(5) Replacing the Spout Rubber (“Replacing the Spout Rubber” Chapter 4 of the Operation Manual)

Install the spout rubber in an eco case in order to reduce ink leakage from the 2L ink pack.

The spout rubber is a supplied part. (SPA-0317: Set of 8 Spout Rubber)

The replacing timing sign of the spout rubber will be shown about once every half-year.

Please replace the spout rubber when you see the sign on the display.



- Replace all eight spout rubber assys. as a set at the same time.
- Depending on the usage environment and usage conditions, the spout rubber may deteriorate within half a year.

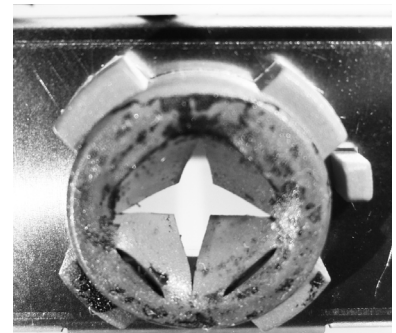
If the gap in the center expands as shown in the picture, please replace it regardless of if there is a warning message.



The beginning of spout rubber



It is available to use



It is necessary to replace



- When exchanging 2L ink pack, be sure to wear the included safety glasses and gloves. Ink may spatter and get in your eyes accidentally.

(6) Male Connector Absorbent for MBIS (“ Male Connector Absorbent for MBIS ” Chapter 4 of the Operation Manual)

When replacing the 2L ink pack, you can prevent dirt from entering the cradle by periodically (5 to 10 times) replacing the male connector absorbent (accessory).



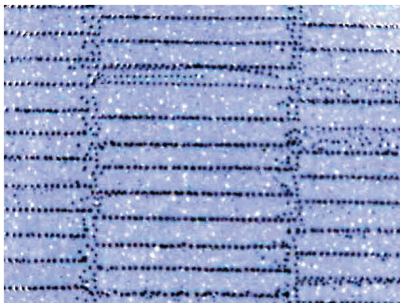
- Be sure to wear the supplied safety glasses and gloves when replacing the male connector absorbent.



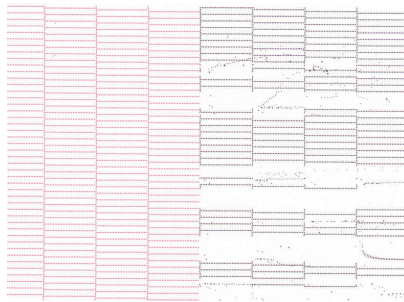
- When the accessories are finished, please purchase from your local dealer or our sales office. (PN:SPA-0625)

13. The examples of defective printing

These following examples indicate improper head (nozzle) firing by dust, which effect printing. Confirm the nozzle condition periodically before or during outputting not to use in such as this condition. The nozzle condition can be confirmed with [test printing] in this plotter. (Operation manual Chapter 2 “Test Printing”)



1.Deflection



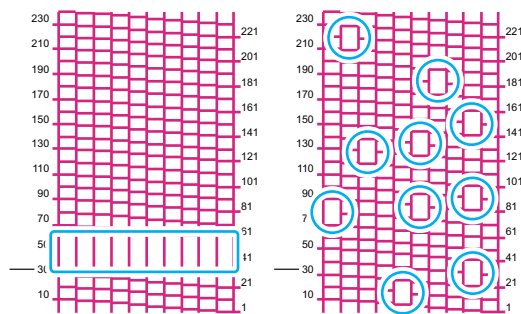
2.Nozzle out



3.Ink dropping



4.Satellite



5.Mixing in air

14. Recovery method of defective nozzle discharge

When this printer has not been used for an extended period of time, or depending on the environmental temperature, the discharge at the nozzles could become unstable. In such a case, the following methods may be taken to recover the status of the nozzles.

■ For symptoms 1 to 4 in P.13 “The examples of defective printing”

1. Daily maintenance and care

- Perform the cleaning of the parts described in this document.

2. Performing Head Cleaning (normal). Refer to Chapter 2 of Operation Manual.

- After having performed the care and maintenance stated in step 1, perform the cleaning of the heads in accordance with the procedures stated in Operation Manual.



Perform test printing and check
(Chapter 2 of Operation Manual)

In the event nozzle missing etc. have not been improved

3. Performing Head Cleaning (hard). Refer to Chapter 2 of Operation Manual.

- If the nozzle missing does not disappear even after repeating the head cleaning (normal) several times, reset the cleaning mode to "hard" and perform the cleaning again.



Perform test printing and check
(Chapter 2 of Operation Manual)

In the event nozzle missing etc. have not been improved

4. Perform the cleaning of the head nozzles. Refer to Chapter 4 of Operation Manual.

- Perform the cleaning of the head nozzles. In this case, leaving time of the cleaning liquid for maintenance shall be made [1 minute].



Perform test printing and check
(Chapter 2 of Operation Manual)

In the event nozzle missing etc. have not been improved

5. Perform the cleaning of the head nozzles again. Refer to Chapter 4 of Operation Manual

- Reset the leaving time of the cleaning liquid for maintenance to [10 minutes], and perform the cleaning of the head nozzles again.



Perform test printing and check
(Chapter 2 of Operation Manual)

Important!

- If the nozzle discharge does not recover even after operating above, contact your local distributor, our sales office, or service center.

15. Supplies

To order replacement consumable items, contact your local dealer or our service office.

For more information on other consumable items, refer to our website.

<https://mimaki.com/supply/inkjet.html>

Product Name		Product No.	Product Name		Product No.
Cleaning Liquid (MAINTENANCE KIT)	Dye Sublimation Ink ink :Sb420	ML003-2-K1	CP pat set (Cap Pad)	SPA-0269	
	Dye Sublimation Ink ink :Sb421		CAP ABSORBER KIT	SPA-0314	
	Disperse dye ink :Dd400		Waste ink tank (2L)	SPA-0246	
	Acid-dye ink :Ac400		Wiper kit 300TS	SPA-0271	
	Reactive-dye ink :Rc400		Wiper kit 300Tx-II*	SPA-0313*	
	Reactive-dye ink :Rc500		INK TRAY SPACER	SPA-0276	
Hybrid : Sb411+Sb420	C-ML012-Z- K1-1-KW	300 fan filter	SPC-0774		
Textile Pigment ink: TP400		Pinch rollers	SPA-0275		
Hybrid : Sb420+TP400		MEDIA HOLDER Tx	SPA-0278		
Hybrid : Sb421+TP400	SPA-0317	MALE CONNECTOR ABSORBENT FOR MBIS	SPA-0625		
Hybrid : Sb411+TP400					
Clean stick for the surroundings of the head 50pcs	SPC-0527				
Techno wipe for the surroundings of the head	SPC-0855				
Spout Rubber					

*: Tx300P-1800 MkII only, when using the Sb411+TP400 or Sb411+Sb420 ink sets.



You can also download the latest manual from our website.

© 2016 MIMAKI ENGINEERING CO., LTD.

D202939-33-08052021

AT

FW Tx300P: 3.60 / MkII: 1.30